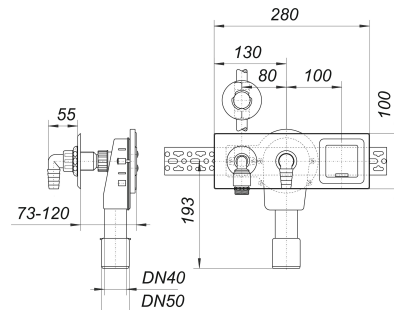


## washing machine or dishwasher trap type 405 E, DN 40/DN 50

Part number: 130518

GTIN: 4001636130518

Rebate group: 1



### Description:

washing machine or dishwasher trap type 405 E, DN 40/DN 50

specification:

- compact recessed body
- backing plate
- fixing bracket
- cold water feed
- inlet hose connector, chrome
- separate 1/2" on/off valve with back flow preventor, air-admittance valve and escutcheon
- cover plate stainless steel 190 x 110 mm
- recess depth 73 - 120 mm
- spacer
- incorporating power socket with hinged cover

material:

polyethylene trap-body for welding HDPE.

tested by: DVGW (on/off valve), VDE (electrical connection)