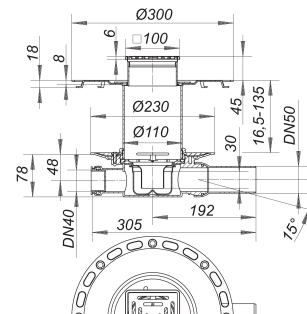
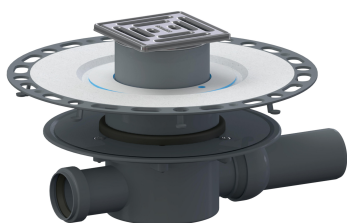


under-tile waterpr. floor drain 42 VC, DN 50, 100 x 100 mm

Part number: 513199

GTIN: 4001636513199

Rebate group: 5



Description:

under-tile waterpr. floor drain 42 VC, DN 50, 100 x 100 mm

Floor drain body 42 S, TistoDrain raising piece S 10 and a up to 40 mm height adjustable grating with +/- 5.5 mm lateral adjustment. with grating VC 10 (frame made of 304 stainless steel), 100 x 100 mm

Flow rates tested to DIN EN 1253:

Nominal diameter	Product standard	Min. flow rate according to norm	Water level according to norm
DN 50	DIN EN 1253	0.80 l/s	20.00 mm

Spare parts:

400352 grating VC 10, 100 x 100 mm

420022 Floor drain body type 42 S, inlet DN 40

495044 Trap insert for floor drain body type 4

495075 Two-way seal CeraDrain type S 10

495082 Upper collar CeraDrain/TistoDrain S 10

513168 collar TistoDrain S 10

513304 Membrane Tisto S 10