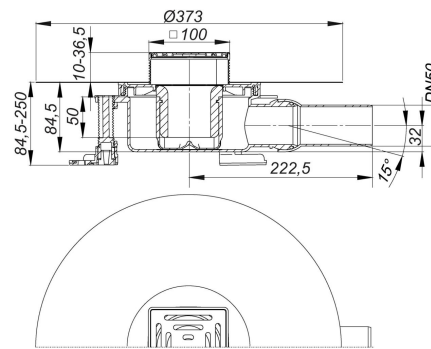
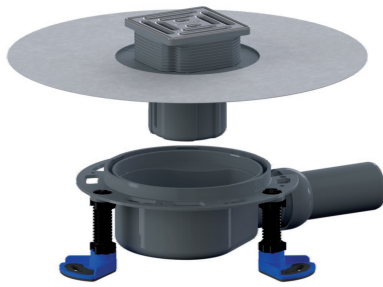


07. May 2021

DALLMER**floor drain DallDrain Select, DN 50, 100 x 100 mm**

Product No. **517012**
 EAN: 4001636517012
 Discount group: 6



conforming to DIN EN 1253

Floor drain including grating DallDrain Select with stainless steel grate in stainless steel frame. Side outlet DN 50, with ball joint, adjustable from 0 – 15 degrees.

specification

- Stainless steel grate and frame
- Integrated screed anchoring
- Flexible, click-in sealing sleeve for secure connection to bonded and sheet waterproofing conforming to DIN 18534
- Fully removable, two-piece trap insert and rodding eye, 50 mm water seal (conforming to DIN EN 1253)
- Temporary blanking plate
- Three sound-insulated mounting feet for fixing and height adjustment 85 – 250 mm
- Spigot can be shortened for floorings 10 – 36 mm (including adhesive)

MATERIAL

Polypropylene drain body and outlet, highly impact-resistant; 1.4301 stainless steel grate, load class K 3 (300 kg); spigot in ABS, frame in 1.4301 stainless steel

Pre-assembled set consisting of parts no. 517265 + 517210 + 517340.

Grating with positioning aid laterally adjustable +/- 2.5 mm.

Can be used with sound insulation mat DallDrain (part no. 517326) and mounting aid DallDrain (part no. 517319).

Product No.	Description	Dimensions
517340	DallDrain installation feet	

07. May 2021

Product No.	Description	Dimensions
517326	DallDrain sound insulation mat, 380 x 380 mm	
517319	mounting aid DallDrain	