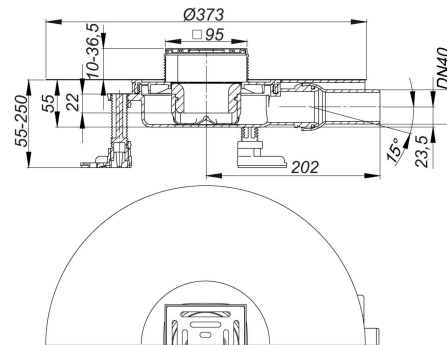
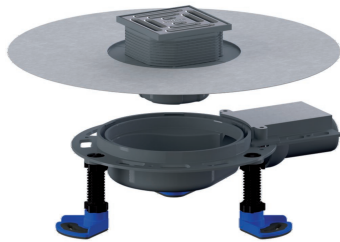


07. May 2021

**DALLMER****floor drain DallDrain Pure Plan, DN 40, 100 x 100 mm**

Product No. **517074**  
 EAN: 4001636517074  
 Discount group: 6



Floor drain including grating DallDrain Pure with stainless steel grate in plastic frame.  
 Side outlet DN 40, with ball joint, adjustable from 0 – 15 degrees.

**Design:**

- Stainless steel grate, plastic frame
- Integrated screed anchoring
- Flexible, click-in sealing sleeve for secure connection to bonded and sheet waterproofing conforming to DIN 18534
- Fully removable, two-piece trap insert and rodding eye, 22 mm water seal (deviating to DIN EN 1253)
- Temporary blanking plate
- Three sound-insulated mounting feet for fixing and height adjustment 55 – 250 mm
- Spigot can be shortened for floorings 10 – 36 mm (including adhesive)
- Screed reinforcement element for protection of the outlet

**MATERIAL**

Polypropylene drain body, highly impact-resistant; polyethylene outlet, weldable; 1.4301 stainless steel tile holder; spigot in ABS, frame in 1.4301 stainless steel

Pre-assembled set consisting of parts no. 517258 + 517227 + 517340.  
 Grating with positioning aid laterally adjustable +/- 2.5 mm.

Can be used with sound insulation mat DallDrain (part no. 517326) and mounting aid DallDrain Plan (part no. 517319).

Product No.	Description	Dimensions
517340	DallDrain installation feet	

07. May 2021

**DALLMER**

---

517364	DallDrain Plan odour trap	
517258	DallDrain Pure grating attachment, 100 x 100 mm	100 x 100 mm
517197	DallDrain sealing sleeve	
501011	grate E 90, 90 x 90 mm	90 x 90 mm

---

<b>Product No.</b>	<b>Description</b>	<b>Dimensions</b>
517333	DallDrain hair trap	
517241	DallDrain raising piece	
517326	DallDrain sound insulation mat, 380 x 380 mm	
517302	mounting aid DallDrain Plan	