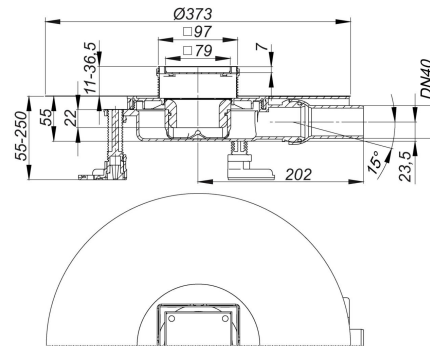
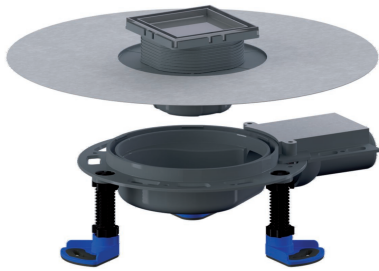


07. May 2021

DALLMER**floor drain DallDrain Individual Plan, DN 40, 100 x 100 mm**

Product No. **517111**
 EAN: 4001636517111
 Discount group: 6



Floor drain including grating DallDrain Individual with stainless steel grating frame for tiling with customers floor finish. Side outlet DN 40, with ball joint, adjustable from 0 – 15 degrees.

specification

- Stainless steel tile holder and frame
- Integrated screed anchoring
- Flexible, click-in sealing sleeve for secure connection to bonded and sheet waterproofing conforming to DIN 18534
- Fully removable, two-piece trap insert and rodding eye, 22 mm water seal (deviating to DIN EN 1253)
- Temporary blanking plate
- Three sound-insulated mounting feet for fixing and height adjustment 55 – 250 mm
- Spigot can be shortened for floorings 10 – 36 mm (including adhesive)
- Screed reinforcement element for protection of the outlet

MATERIAL

Polypropylene drain body, highly impact-resistant; polyethylene outlet, weldable; 1.4301 stainless steel tile holder; spigot in ABS, frame in 1.4301 stainless steel

Pre-assembled set consisting of parts no. 517272 + 517227 + 517340.
 Grating with positioning aid laterally adjustable +/- 3.5 mm.

Can be used with sound insulation mat DallDrain (part no. 517326) and mounting aid DallDrain Plan (part no. 517319).

Product No.	Description	Dimensions
-------------	-------------	------------

07. May 2021

DALLMER

517272	DallDrain Individual grating attachment, 100 x 100 mm	100 x 100 mm
517340	DallDrain installation feet	
517364	DallDrain Plan odour trap	
517197	DallDrain sealing sleeve	

Product No.	Description	Dimensions
517333	DallDrain hair trap	
517241	DallDrain raising piece	
517326	DallDrain sound insulation mat, 380 x 380 mm	
517302	mounting aid DallDrain Plan	