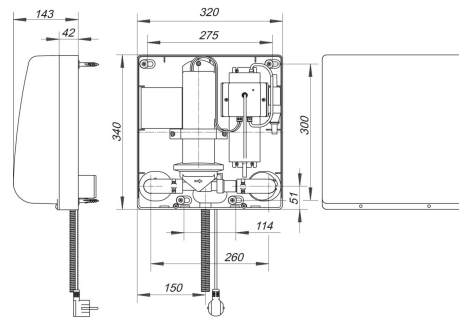
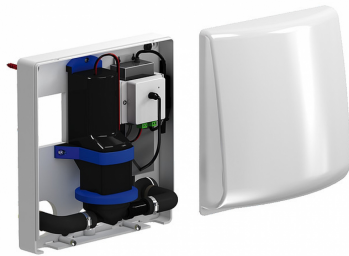


07. May 2021

installation box Active

Product No. **525819**
 EAN: 4001636525819
 Discount group: 9



automatic drainage pump

specification:

- control unit and power supply pre-mounted in splash-proof (IP 65), maintenance-friendly housing made of ABS plastic
- connectors for the optimal connection to suction and discharge line
- direct connection to 230 volts with included power cord

pump specification:

- maintenance-free diaphragm pump with check valves
- capacity 12 l/min
- max. suction height 300 mm
- max. possible length of the suction pipe 5 meters of PVC pipe, d = 20 mm
- max. discharge head 500 mm
- max. possible length of the discharge pipe 1 m
- suitable for faecal-free wastewater, suspended solids pumpable to max. size 6 mm

Product No.	Description	Dimensions
527011	shower underlay CeraBoard Active, 1000 x 1000 mm	1000 x 1000 mm
527028	shower underlay CeraBoard Active, 1200 x 1200 mm	1200 x 1200 mm
527035	shower underlay CeraBoard Active, 1500 x 1500 mm	1500 x 1500 mm
527042	shower underlay CeraBoard Active, 900 x 1200 mm	900 x 1200 mm
527004	shower underlay CeraBoard Active, 900 x 900 mm	900 x 900 mm

07. May 2021

DALLMER

Product No.	Description	Dimensions
527103	pumped floor drain CeraDrain Active K 12, d: 20 mm, 120 x 120 mm	DN 50, 120 x 120 mm