

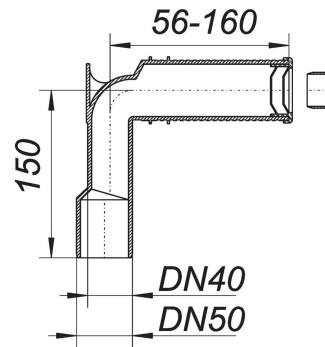
21. November 2019

---

## build-in elbow, DN 40/DN 50

---

Product No.           **350039**  
EAN:                   4001636350039  
Discount group:       2



---

for DN 32 and DN 40 connection  
outlet DN 40/DN 50

specification:

- seal
- multi size blanking plug
- cut to length to suit wall thickness

material:

polypropylene