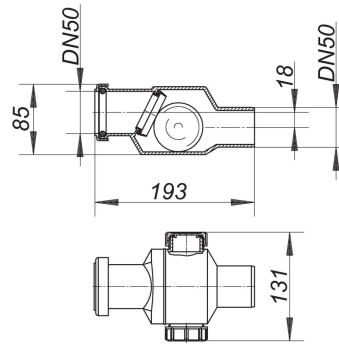


21. November 2019

## non-return valve RS 4.5, DN 50

Product No. **840028**  
EAN: 4001636840028  
Discount group: 3



vertical or horizontal installation  
with rising ball seal

material:  
body polypropylene

with two cleaning eyes

RS 4 non-return valves give a practical solution to back-flow in "problem" installations. The rising-ball mechanism prevents water flowing back into baths or showers. Type RS 4 non-return valves are used to prevent back-flow in pipework, but should not be regarded as anti-flooding valves conforming to DIN 1997. These non-return valves are not permitted to be installed instead of anti-flooding valves below flood level.