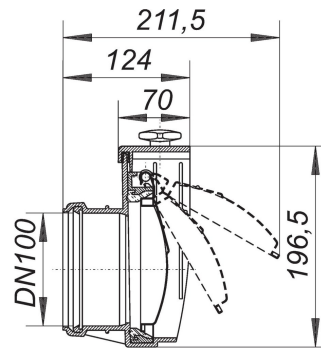


21. November 2019

DALLMER**flap-valve, DN 100**

Product No. **660367**
 EAN: 4001636660367
 Discount group: 3



specification:

- stainless steel flap
- stainless steel pivots
- ring-seal socket connects to plastic pipework

material:

ABS

Flap-valves allow free drainage, for example to a manhole, whilst preventing ingress of debris or vermin.

Product No.	Description	Dimensions
664419	flap type 2000 for Stausafe, DN 100/DN 125	
664020	wing nuts for Stausafe (4 pieces), M 8	M 8