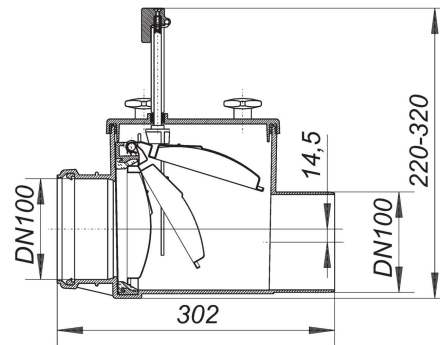
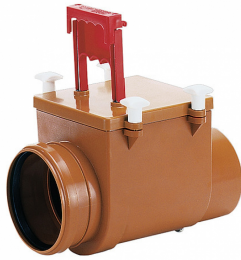


21. November 2019

anti-flooding valve Stausafe H, DN 100

Product No. **661166**
 EAN: 4001636661166
 Discount group: 3



for use with rain water systems

specification:

- self-closing stainless steel flap
- manually operated lock
- stainless steel pivots
- easy to maintain ABS housing
- inspection cover with wingnuts can be opened for maintenance without tools

Product No.	Description	Dimensions
664037	cover seal for Stausafe DN 100/DN 125	
664075	grab for Stausafe H and RS, DN 100/DN 125	
664020	wing nuts for Stausafe (4 pieces), M 8	M 8

Product No.	Description	Dimensions
664662	cover seal 2000 for Stausafe DN 100/DN 125	
664600	cover type 2000 for Stausafe E, DN 100/DN 125	
664617	cover type 2000 for Stausafe H, DN 100/DN 125	
664419	flap type 2000 for Stausafe, DN 100/DN 125	