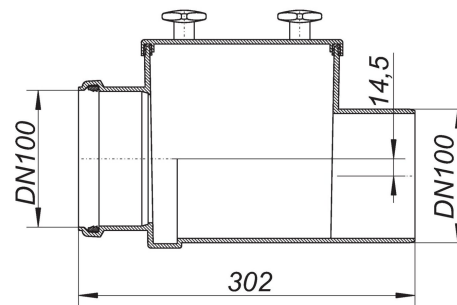


21. November 2019

**rodding access Stausafe R, DN 100**

Product No. **661661**  
 EAN: 4001636661661  
 Discount group: 3



for installation in pipework as a rodding point or for subsequent conversion to an anti-flooding valve

specification:

- easy to maintain ABS housing
- inspection cover with wingnuts can be opened for maintenance without tools

| Product No. | Description                            | Dimensions |
|-------------|--|------------|
| 664037      | cover seal for Stausafe DN 100/DN 125  |            |
| 664020      | wing nuts for Stausafe (4 pieces), M 8 | M 8        |

| Product No. | Description                                   | Dimensions |
|-------------|---|------------|
| 664662      | cover seal 2000 for Stausafe DN 100/DN 125    |            |
| 664600      | cover type 2000 for Stausafe E, DN 100/DN 125 |            |
| 664617      | cover type 2000 for Stausafe H, DN 100/DN 125 |            |