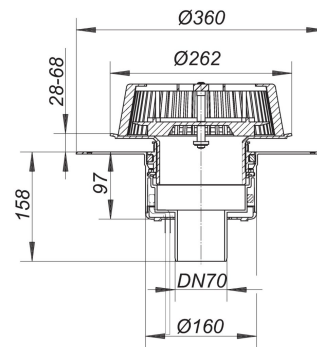


21. November 2019

DALLMER**overflow drain SuperDrain type 62 H PVC, heated, DN 70**

Product No. **671578**
 EAN: 4001636671578
 Discount group: 10



conforming to DIN EN 1253
 for use with a calculated siphonic roof drainage system, moulded in PVC, PVC
 membranes can be welded to the flange

specification:

- SuperDrain-insert
- insulated drain body
- outlet vertical
- overflow upstand height adjustable 28 - 68 mm
- domed grate, secured

material:

PVC

H = roof drain heated version

Connect to 230 V supply, conforming to VDE 0721, Part 1/3.78

Power per drain: 15 watts

Current per drain: 0.06 amps

Suggested current per roof area: 16 amps

Product No.	Description	Dimensions
515131	fire protection kit 8 for steel trapezoidal-profiled roof, DN 70	
621580	raising piece type 630 clamp ring	
622587	raising piece type 630 DallBit	
621573	raising piece type 630 FPO-PE	
671226	raising piece type 630 FPO-PP	

21. November 2019

DALLMER

623584

raising piece type 630 PVC