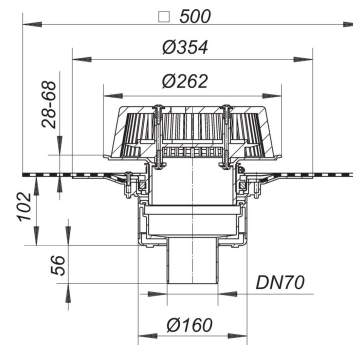


21. November 2019

**DALLMER****overflow drain SuperDrain 62 DallBit, DN 70**

Product No.           **671585**  
 EAN:                   4001636671585  
 Discount group:      10



conforming to DIN EN 1253  
 for use with a calculated siphonic roof drainage system, with factory-fitted collar of  
 5.0 mm modified bitumen membrane, 500 x 500 mm, welded to the flange and clamped  
 with a stainless steel clamp ring

specification:

- SuperDrain-insert
- insulated drain body
- outlet vertical
- overflow upstand height adjustable 28 - 68 mm
- domed grate, secured

material:

polypropylene, UV-stabilized

Product No.	Description	Dimensions
620934	domed grating/gravel guard type S 15. stainless steel, d: 150 mm	