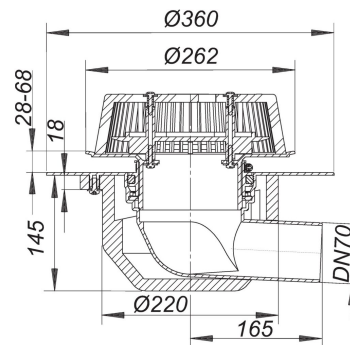


21. November 2019

**DALLMER****overflow drain SuperDrain type 64 FPO, DN 70**

Product No. **671622**  
 EAN: 4001636671622  
 Discount group: 10



conforming to DIN EN 1253  
 for use with a calculated siphonic roof drainage system, with extra wide flange for  
 welding FPO-PP membranes directly or fixing PE vapour barriers

specification:

- SuperDrain-insert
- insulated drain body
- side outlet DN 70, 3 degrees fall
- overflow upstand height adjustable 28 - 68 mm
- domed grate, secured

material:

polypropylene, UV-stabilized

Product No.	Description	Dimensions
621580	raising piece type 630 clamp ring	
622587	raising piece type 630 DallBit	
621573	raising piece type 630 FPO-PE	
671226	raising piece type 630 FPO-PP	
623584	raising piece type 630 PVC	