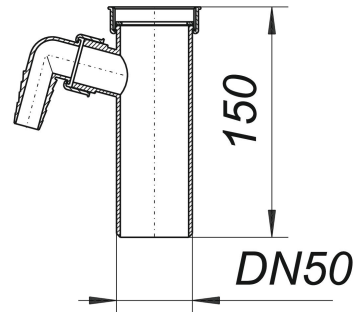


inlet tube type 010/1, 150 mm, 2" x DN 50

Part number: 070425
GTIN: 4001636070425
Rebate group: 1



Description:

inlet tube type 010/1, 150 mm, 2" x DN 50

specification:

- back nut and flat seal (non-asbestos)
- 1 appliance hose connector

material:

polypropylene