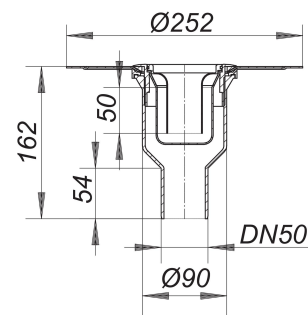
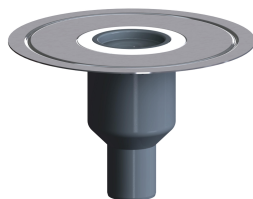


shower drain ORIO V N, DN 50

Part number: 160225
 GTIN: 4001636160225
 Rebate group: 5



Description:

shower drain ORIO V N, DN 50
 for one-piece stone shower trays
 outlet DN 50 vertical

specification

- stainless steel reinforcing plate
- removable trap insert, 50 mm water seal (conforming to DIN EN 1253)
- temporary blanking plate/installation key

material

polypropylene

The outlet connector can be supplied in ABS to suit British Standard sizes and PE-HD conforming to DIN EN 1519. Please enquire.

Ordering only in combination with a DALLMER Design grate.

Flow rates tested to DIN EN 274:

Nominal diameter	Product standard	Min. flow rate according to norm	Water level according to norm
DN 50	DIN EN 274	0.40 l/s	15.00 mm