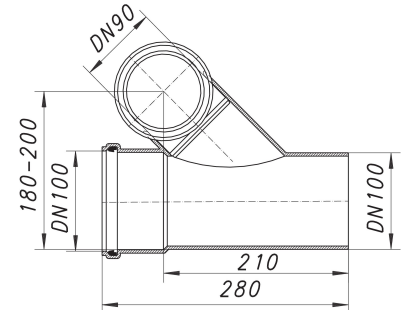


WC connector type 899 wall, DN 90/DN 100/DN 100

Part number: 330017
GTIN: 4001636330017
Rebate group: 2



Description:

WC connector type 899 wall, DN 90/DN 100/DN 100
for back to wall DN 90 WCs, height and length adjustable

specification:

- lip seal
- blanking plugs
- side inlet DN 50

used with a row of back to wall DN 90 WCs

grey polypropylene