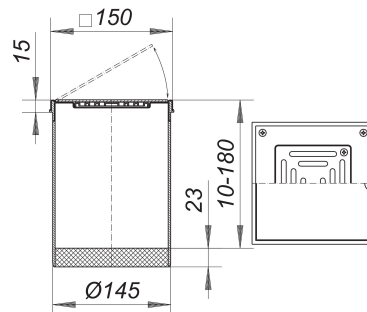


## grating DES 15, cover plate stainless steel, 150 x 150 mm

Part number: 500182  
GTIN: 4001636500182  
Rebate group: 3



### Description:

grating DES 15, cover plate stainless steel, 150 x 150 mm  
used with floor drains type 54, 55, 57, 58, 61 and 61/1  
spigot polypropylene, frame 304 stainless steel, 150 x 150 mm, grate 304 stainless steel, 90 x 90 mm, secured, hinged cover 304 stainless steel, load class K 3 (300 kg)