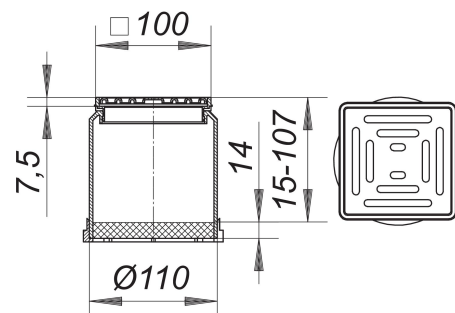


## grating E 10, 100 x 100 mm

Part number: 510006

GTIN: 4001636510006

Rebate group: 3



### Description:

grating E 10, 100 x 100 mm

used with floor drain bodies types 40, 42 and 46, with balcony drain bodies types 83 and 84, drainage elements for attic drains as well as type 85 raising piece, spigot polypropylene, extendable with DN 100 plastic pipe, frame ABS, 100 x 100 mm, grate 304 stainless steel, class K 3 (300 kg)

Some of these gratings can be supplied with d: 103 mm spigot where its use is allowed. Please enquire.

### Spare parts:

495013 drainage ring S 10

830104 balcony drain type 83 E, DN 50, 100 x 1

830111 balcony drain type 83 E, DN 70, 100 x 1

831101 balcony drain type 84 E, DN 50, 100 x 1

831118 balcony drain type 84 E, DN 70, 100 x 1